



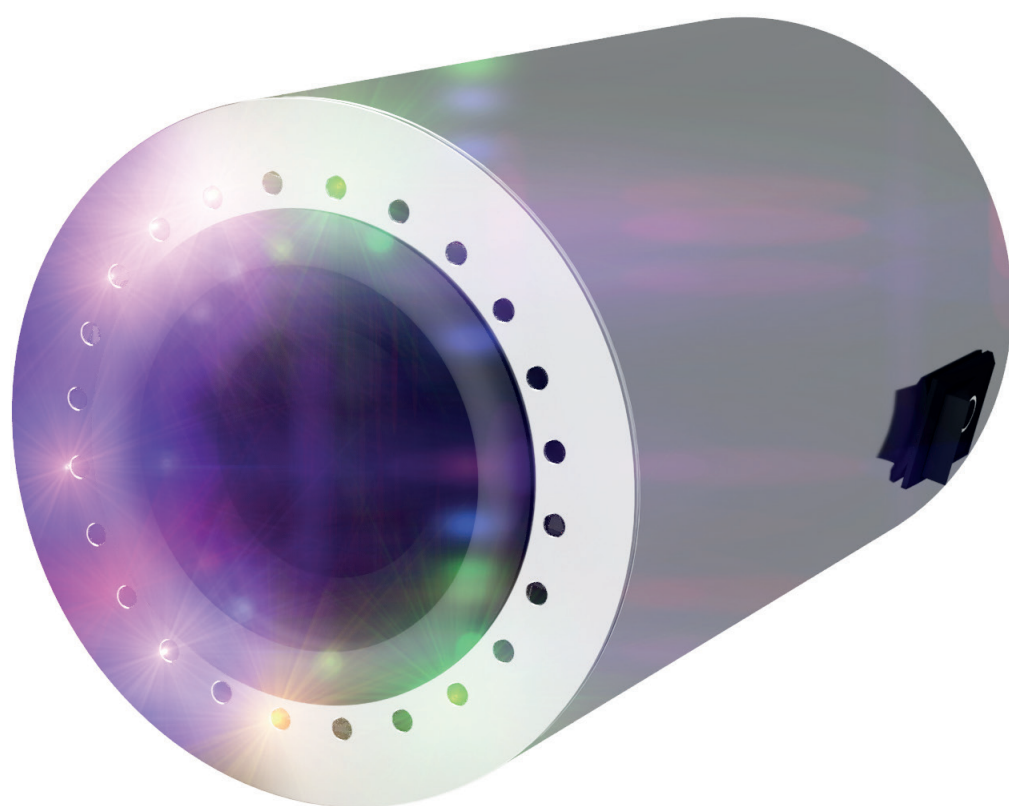
Powered by  
**Rewise**

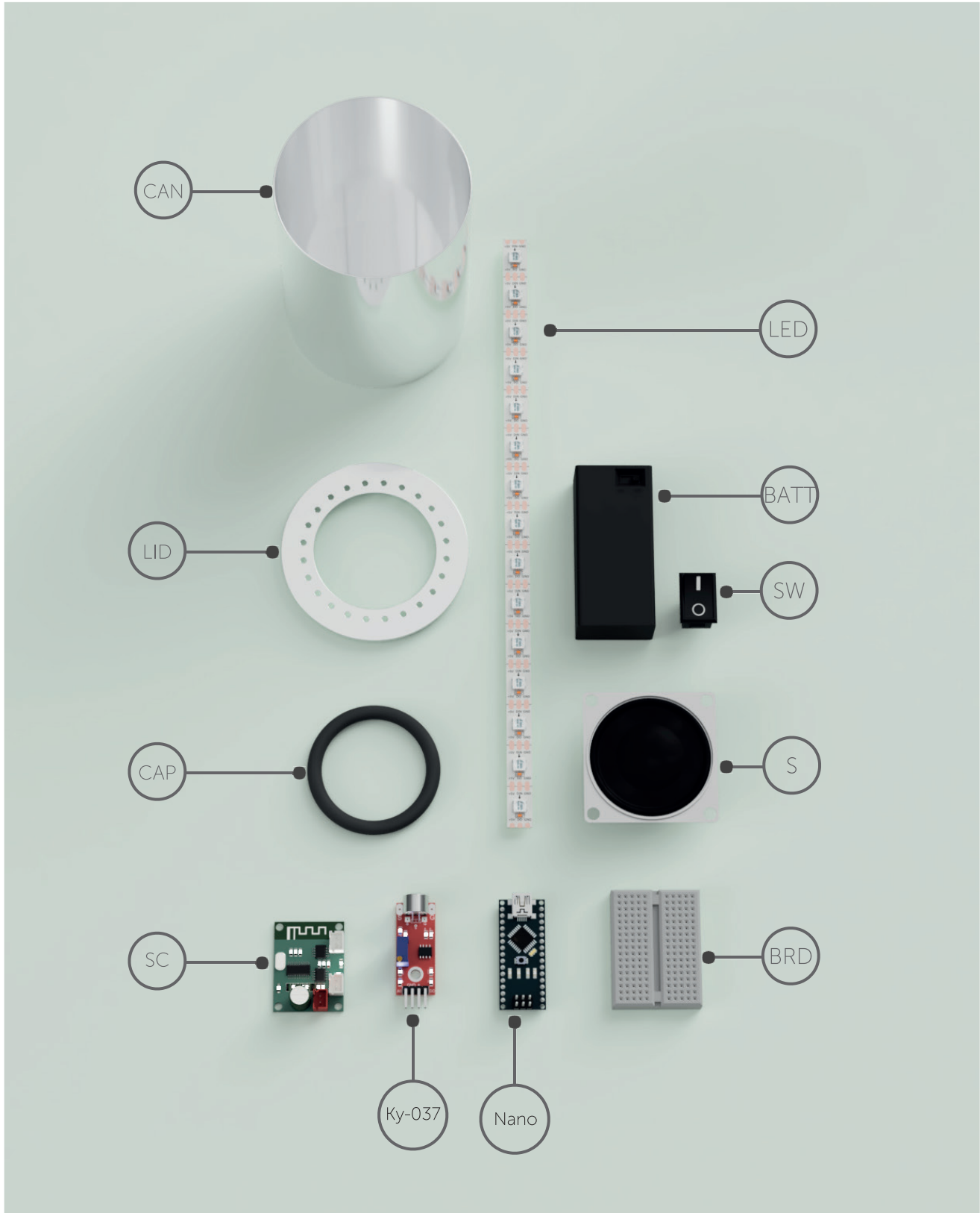
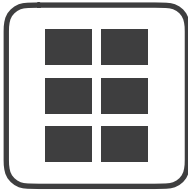
# GFG Foundation Provocarea STEAM

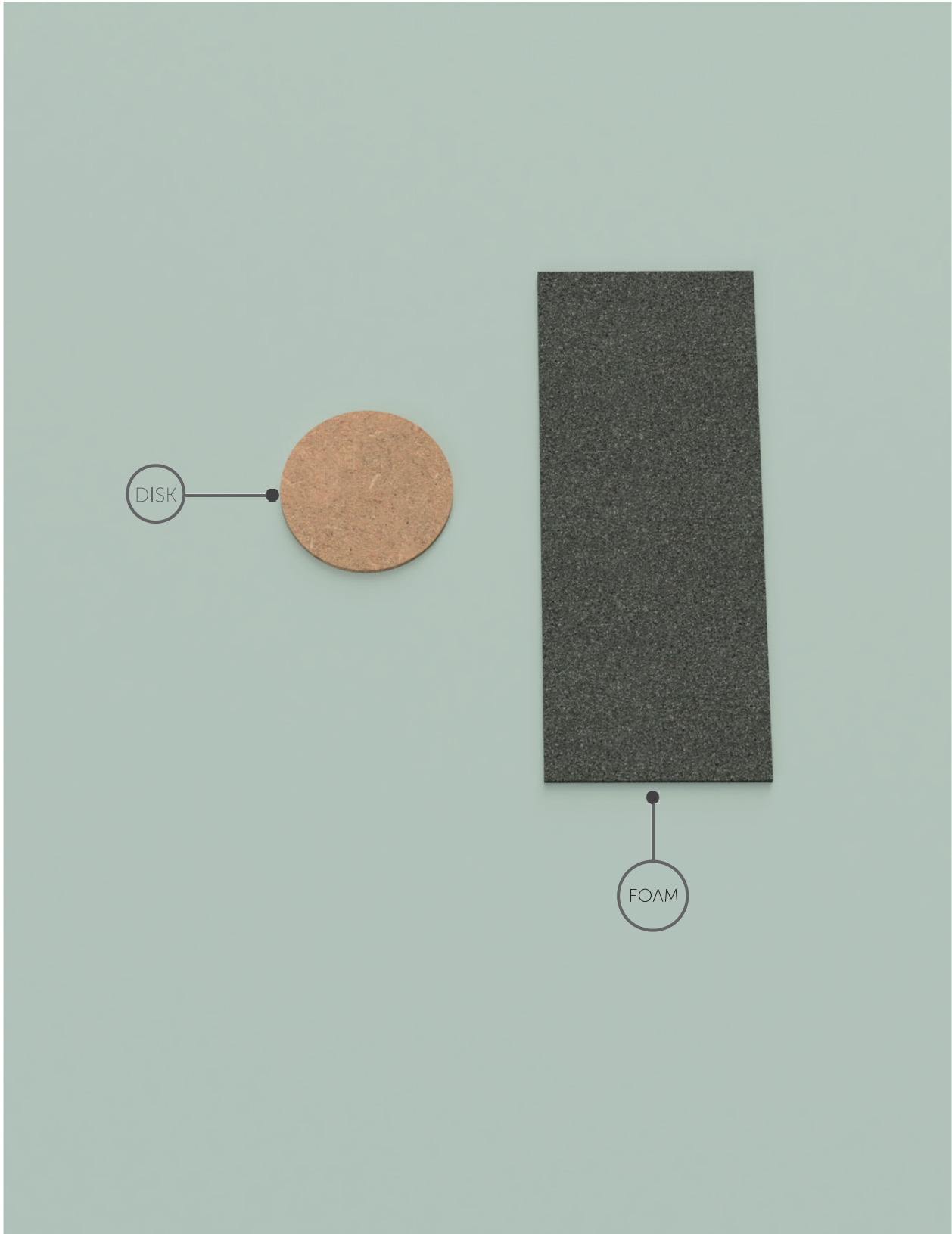
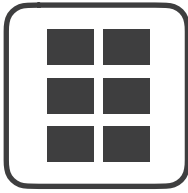
STEAM Challenge

România, 2023



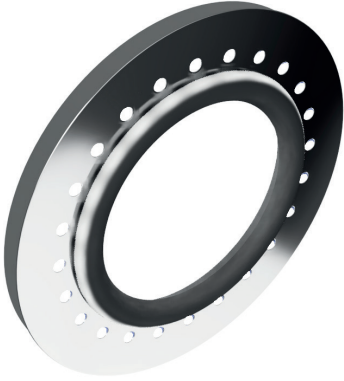
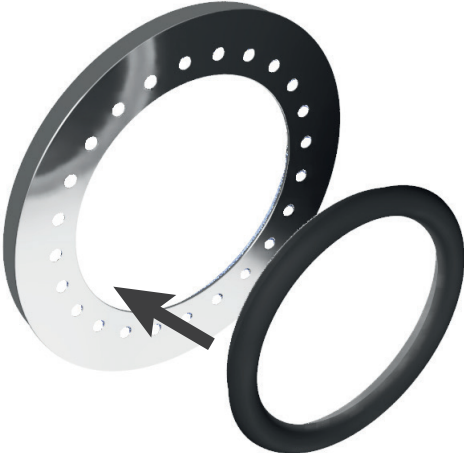






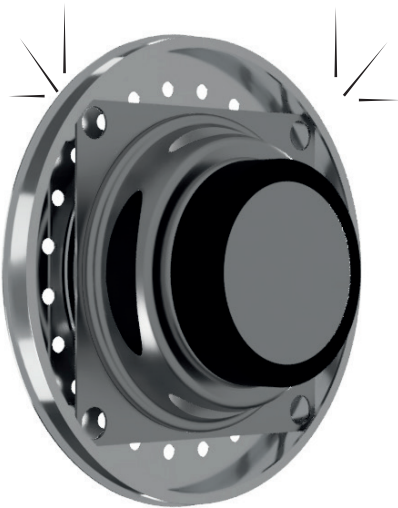
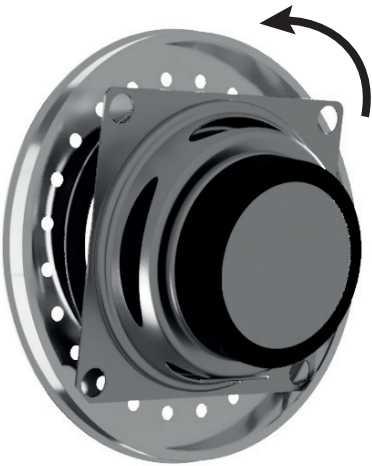
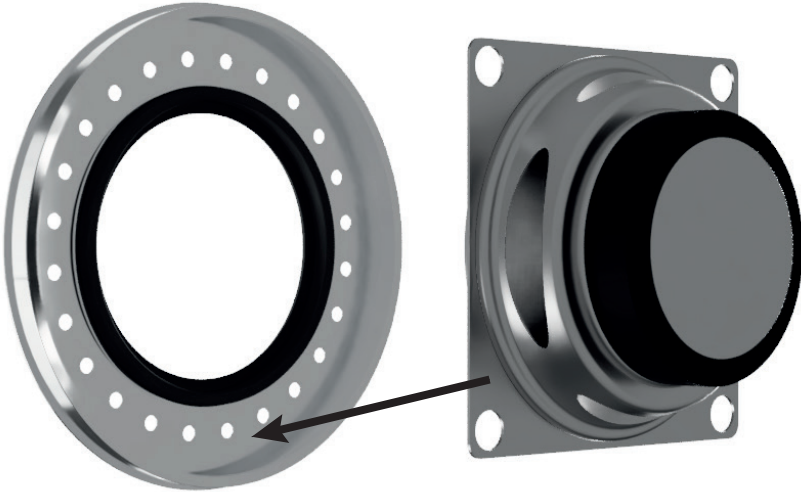
1

LID  
CAP



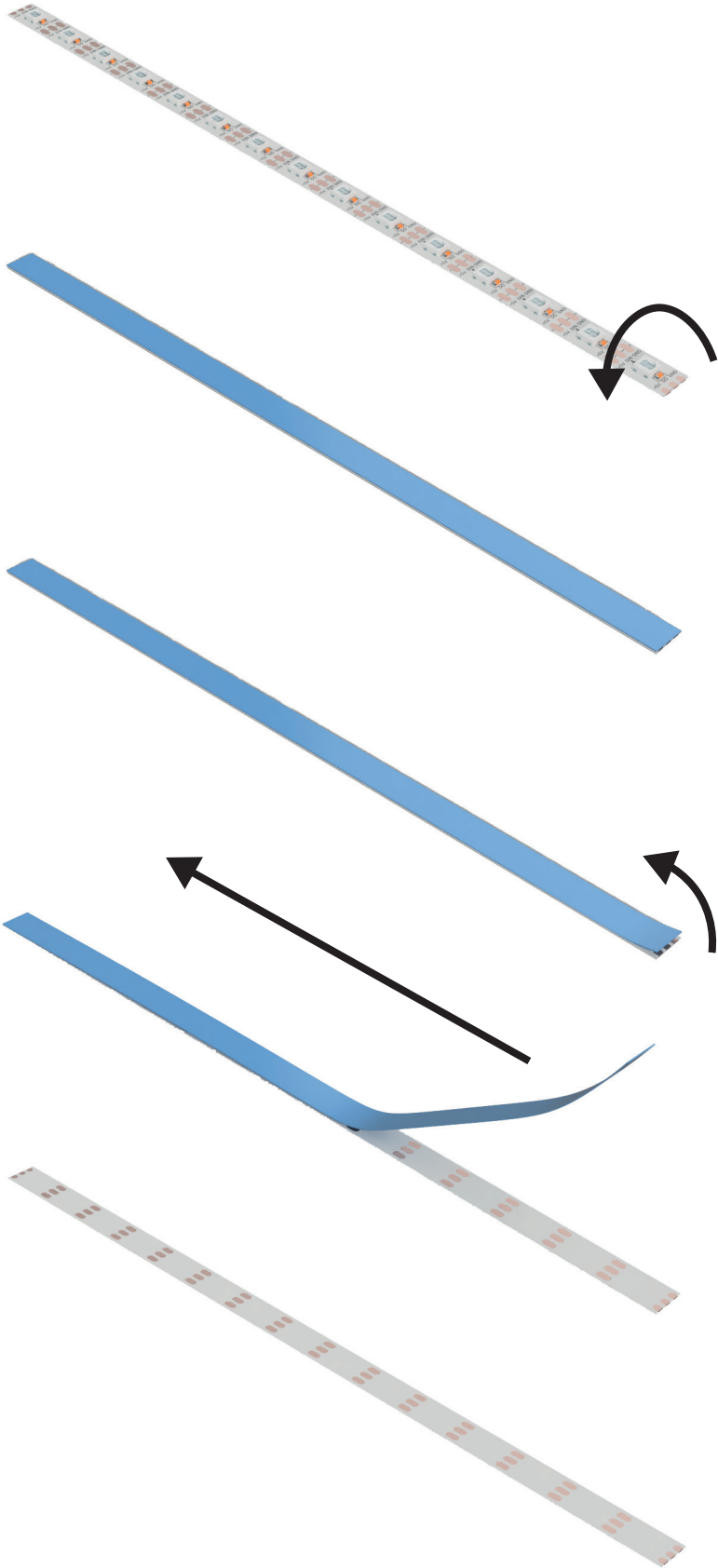
2

S



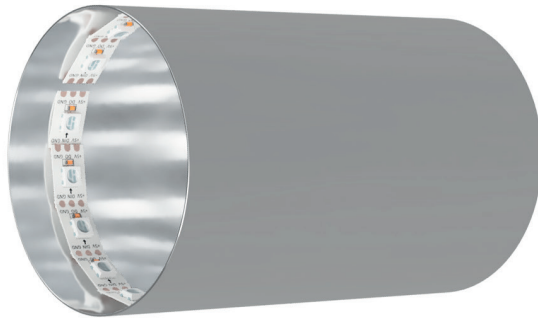
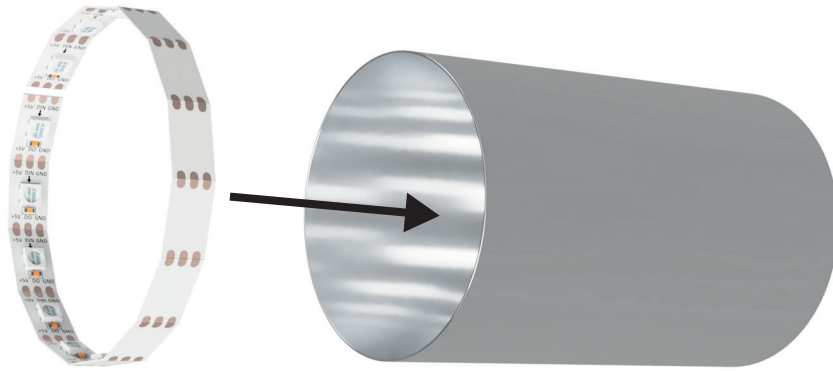
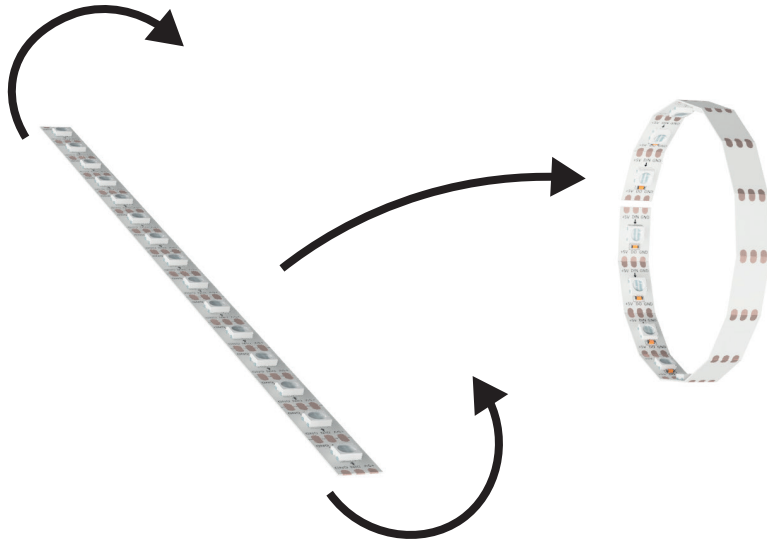
3

LED



4

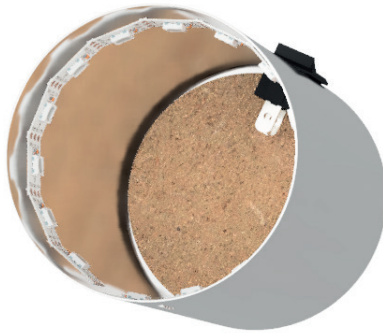
LED  
CAN





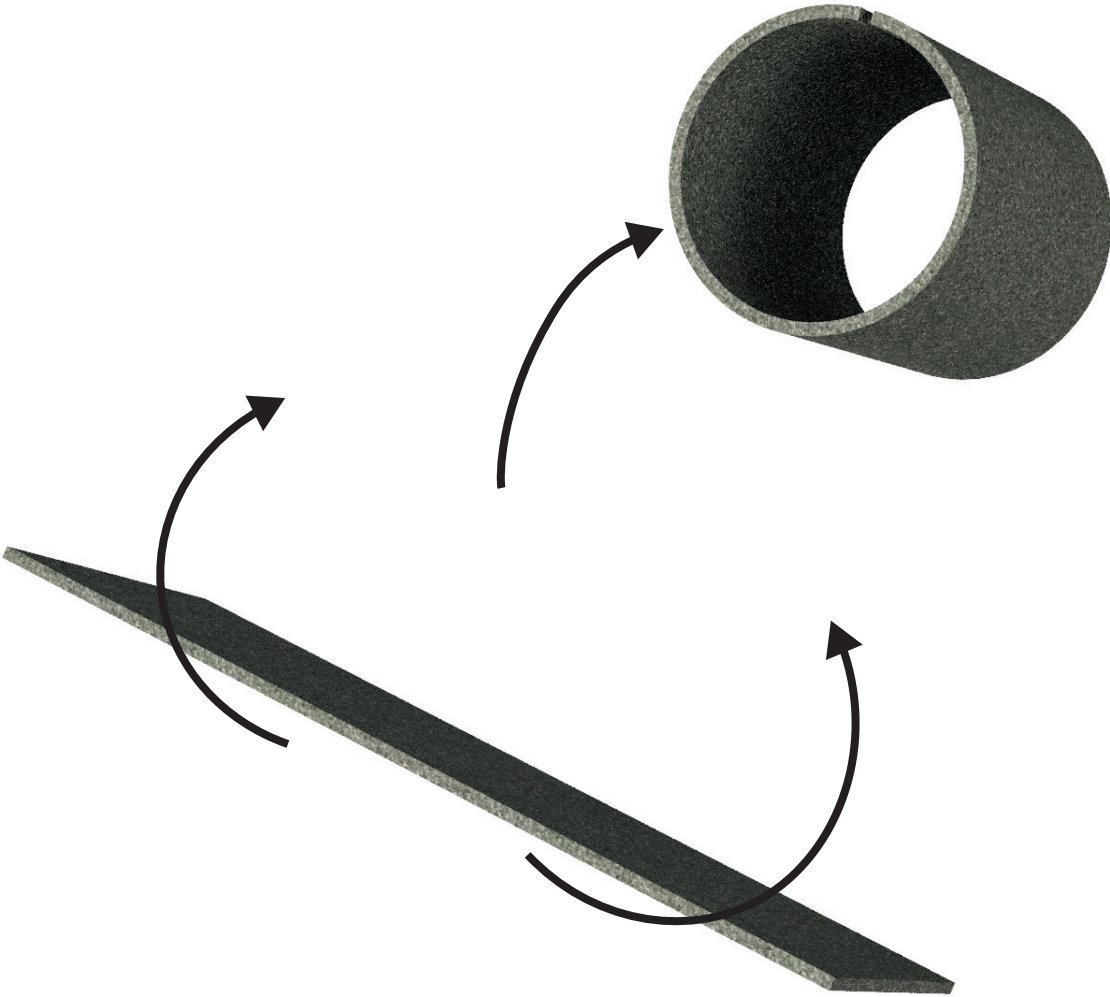
5

DISC



6

FOAM



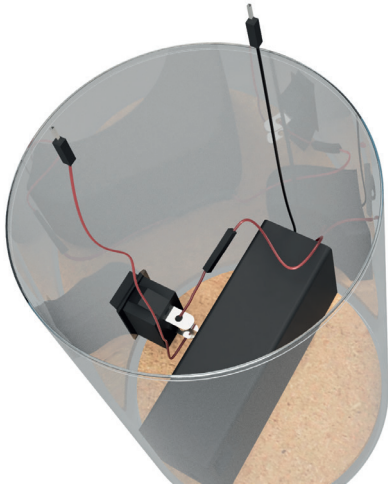
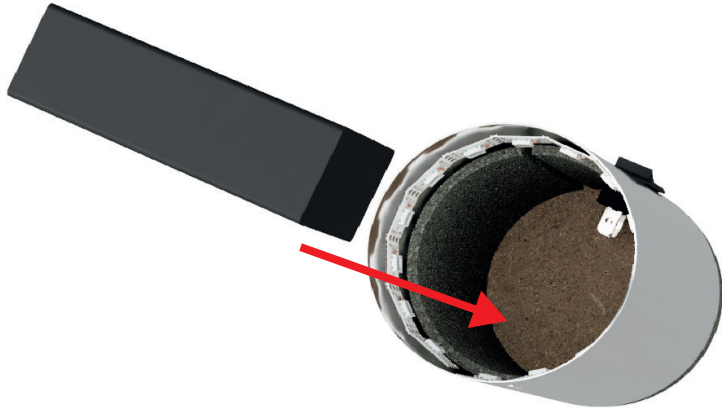
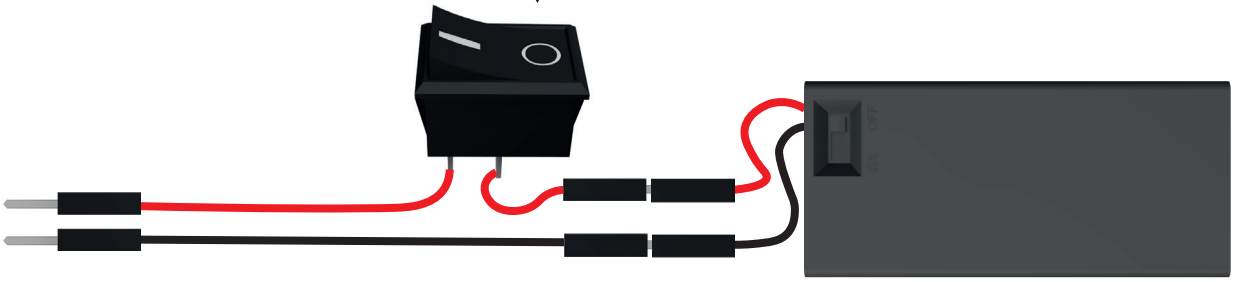
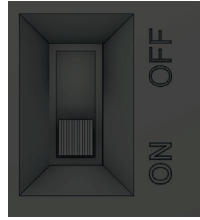
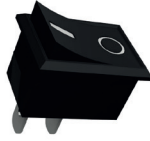
7

FOAM



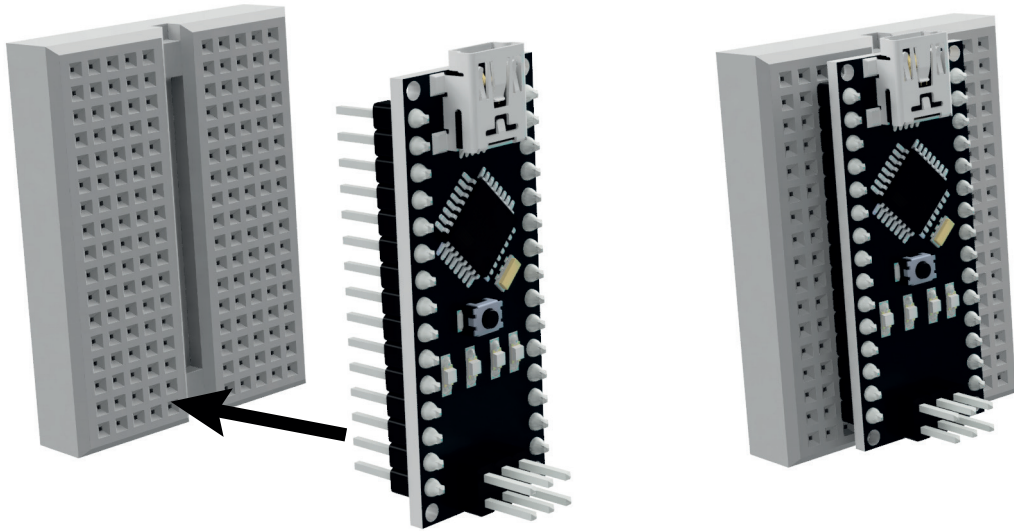
8

BATT  
SW



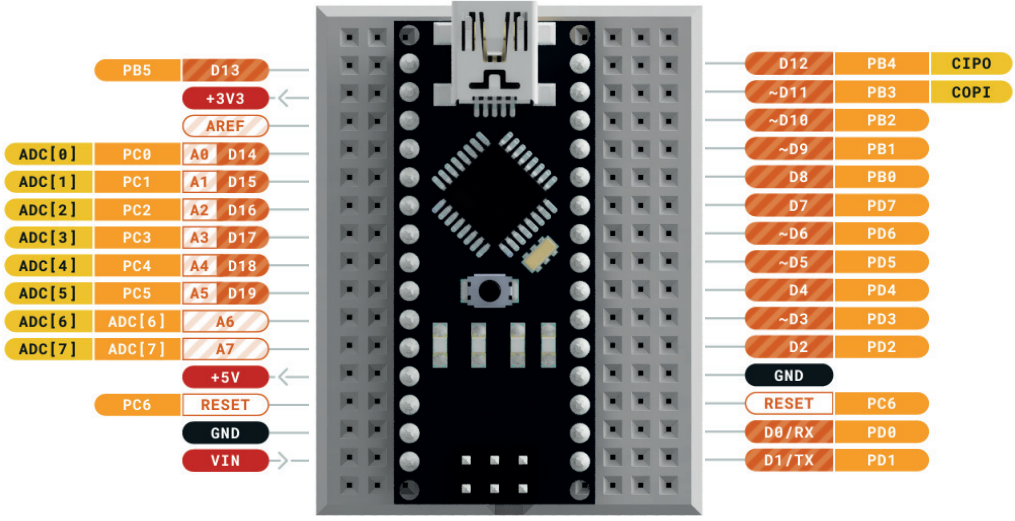
9

BRD Nano



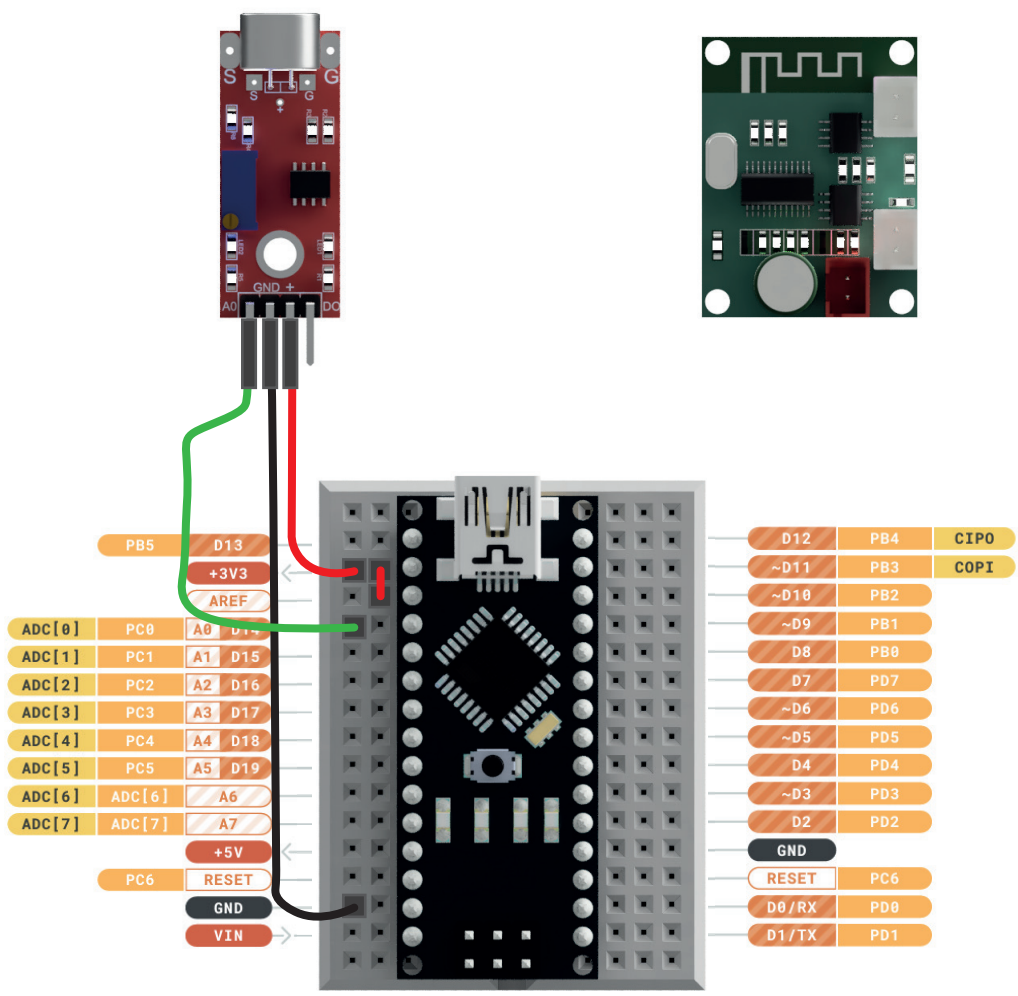
2

3



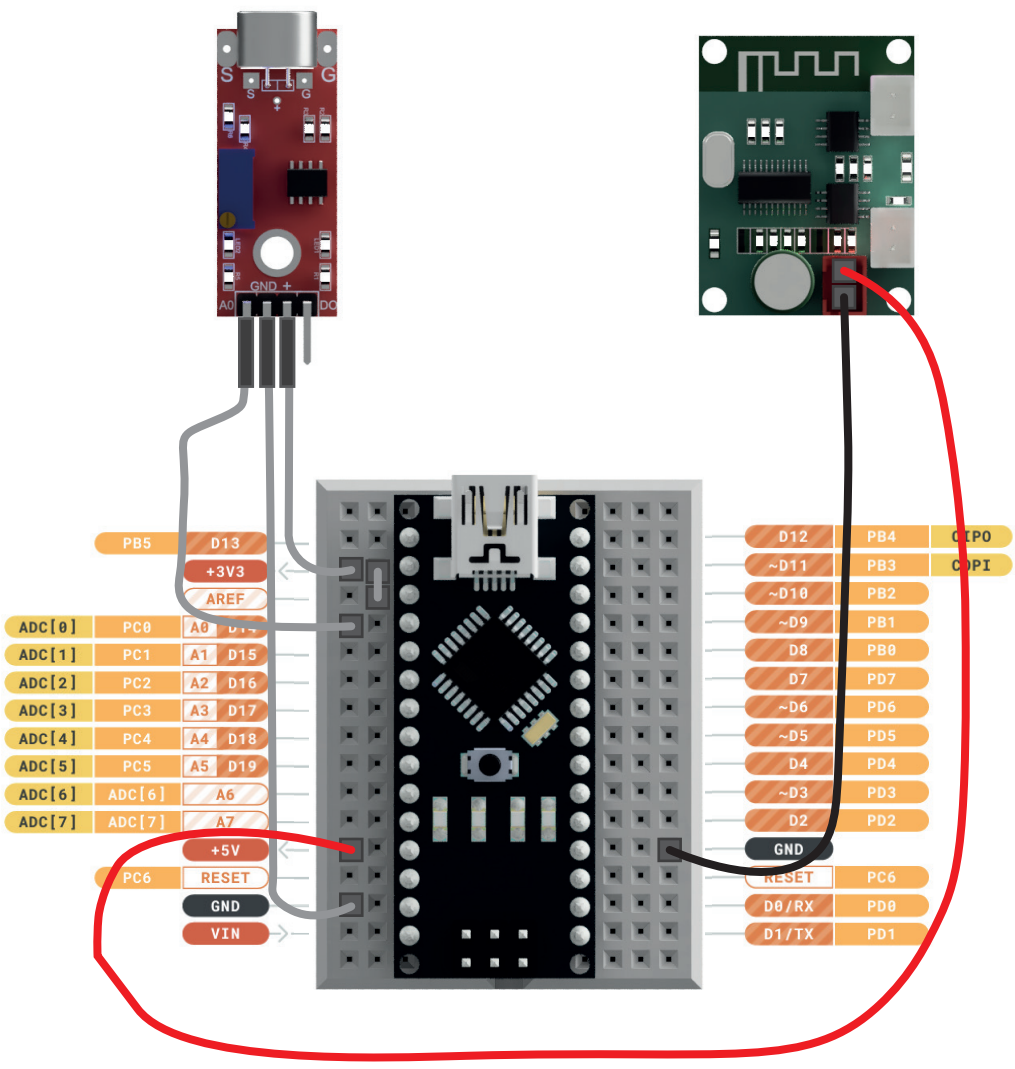
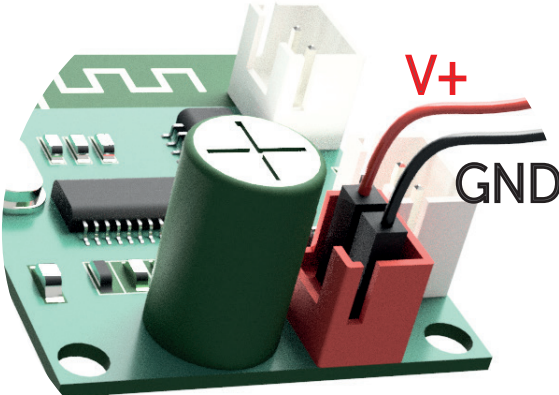
10

SC  
Ky-037



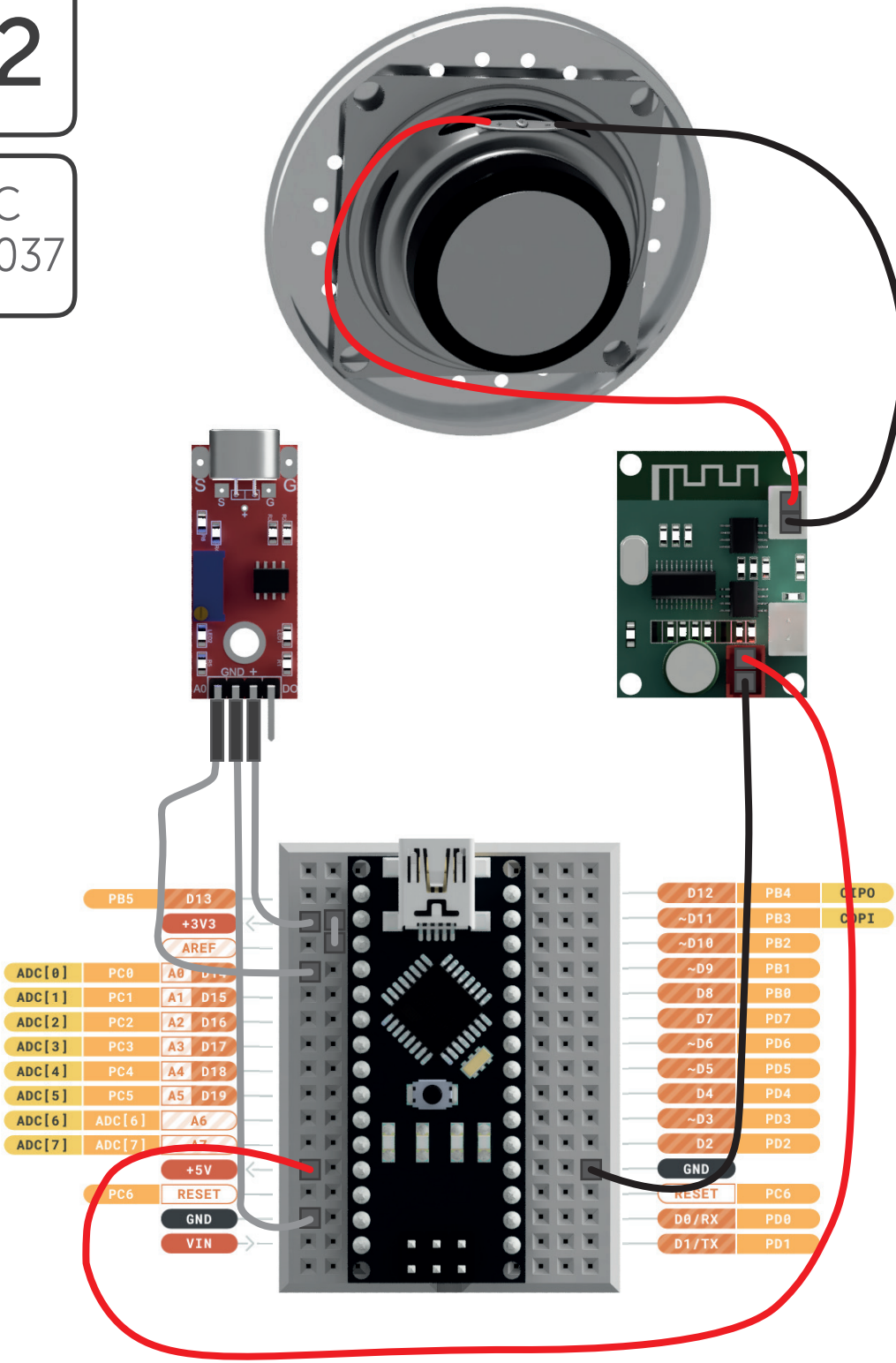
11

SC  
Ky-037



12

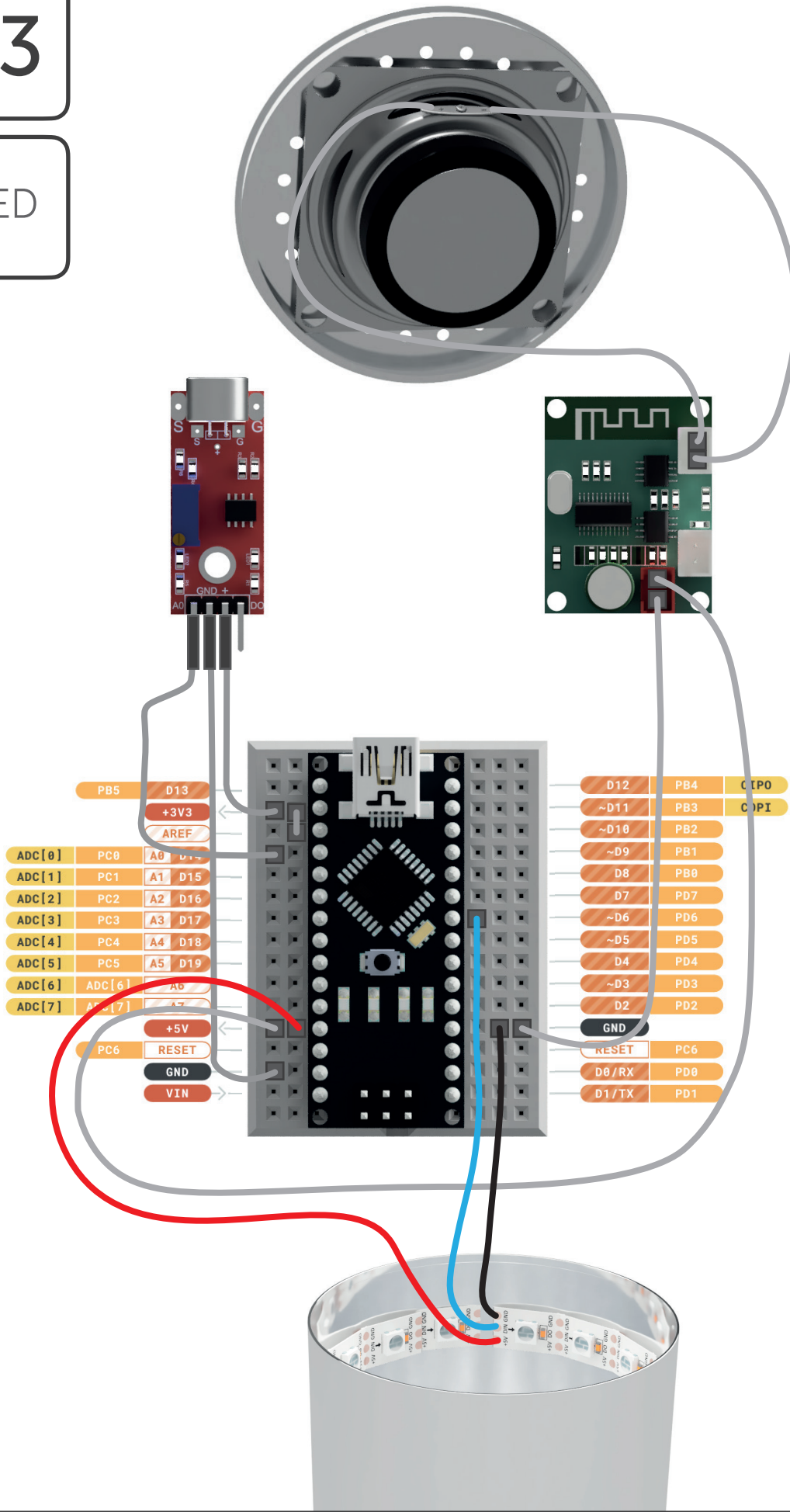
SC  
Ky-037





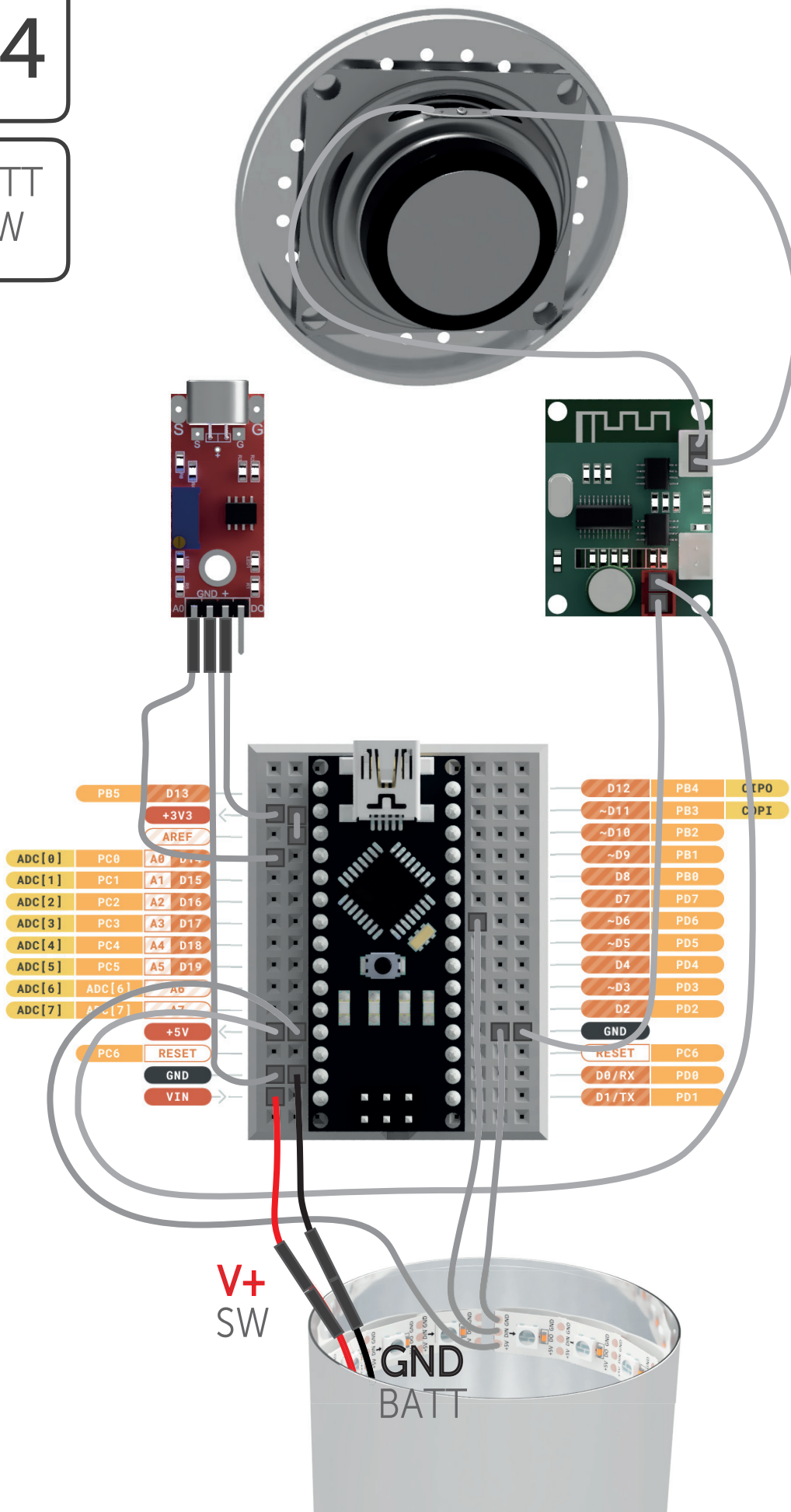
13

LED



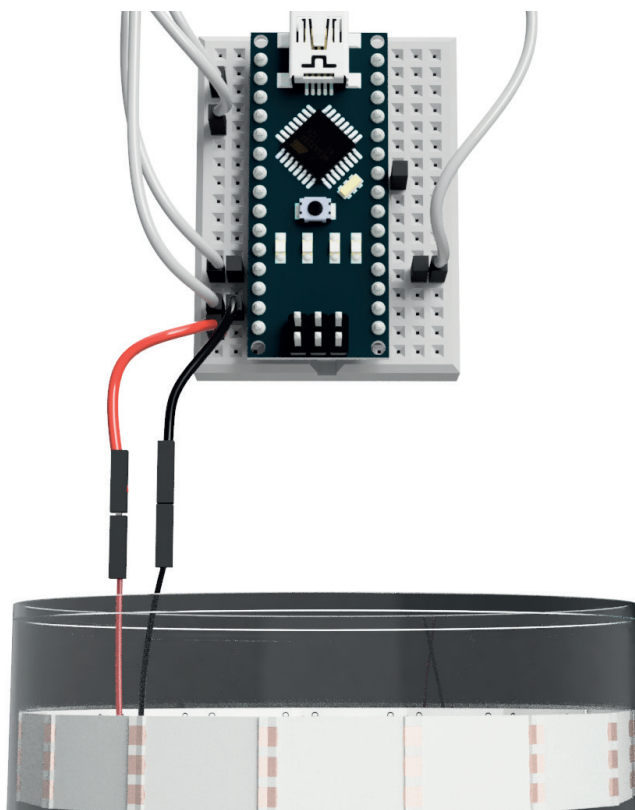
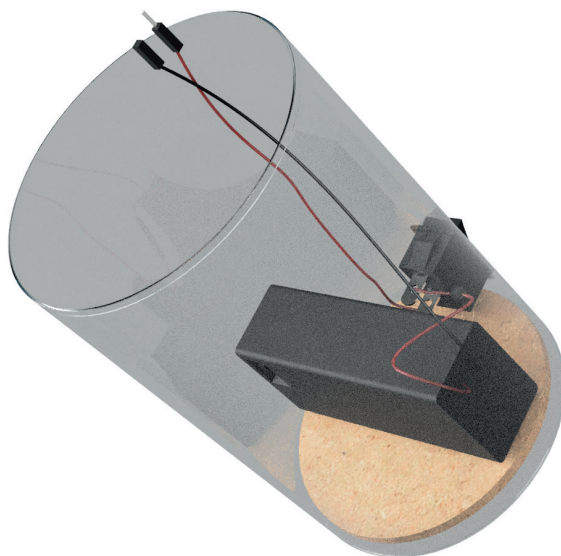
14

BATT SW



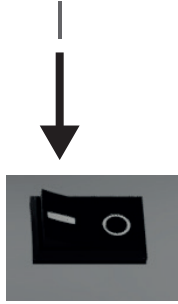
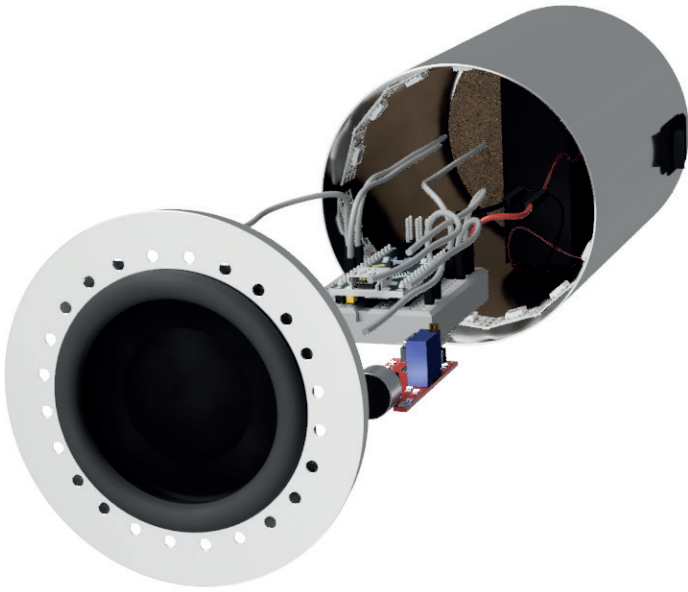
15

BATT  
SW



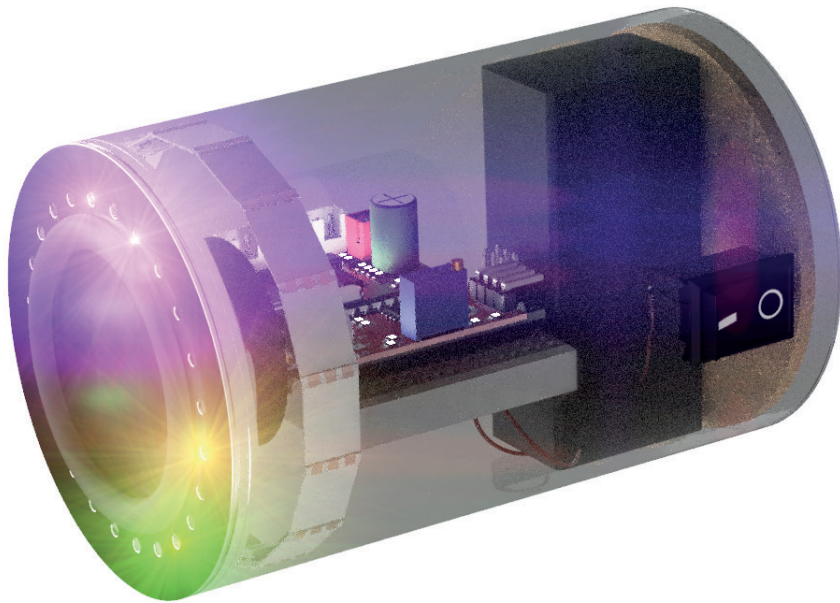
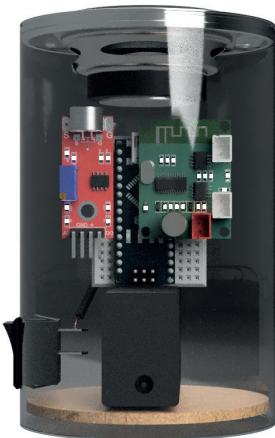
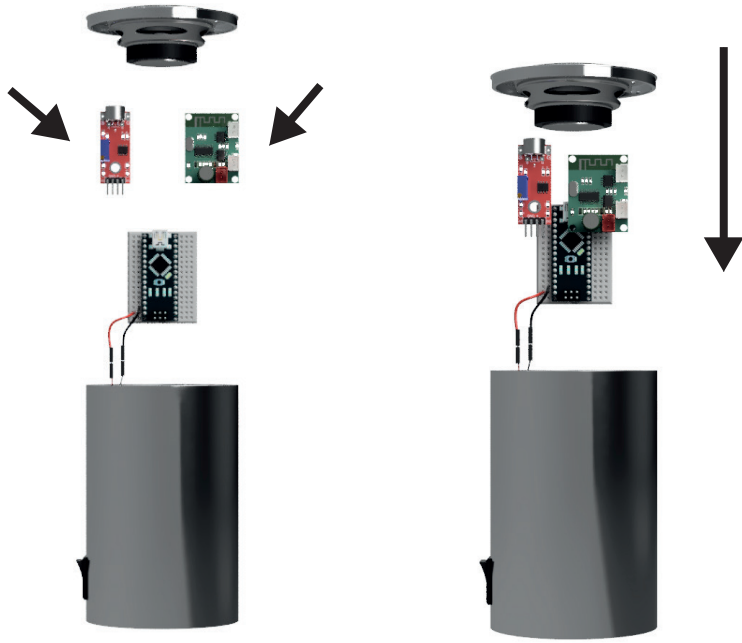
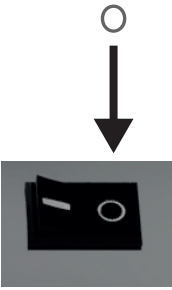
16

?



17

17









Powered by  
**Rewise**

---

**Romania, 2023**